



## TYP AKK

### FOR CONTAMINATED AIR

Plastic circular shut-off dampers for shutting off aggressive media volume flows in air conditioning systems

- Maintenance-free damper blade mechanism
- Closed blade air leakage to EN 1751, class 3
- Casing air leakage to EN 1751, class B

Optional equipment and accessories

- Electric actuator
- Spring return actuator
- Pneumatic actuator
- Auxiliary switch with adjustable switching points for capturing the end positions

## Application



Application

- Plastic circular shut-off dampers Type AKK for shutting off or restricting the airflow in ventilation ducts of air conditioning systems
- Suitable for contaminated air

Special features

- Damper blade can be actuated manually, electrically or pneumatically
- Low-leakage shut-off
- Safety function provided by optional spring return actuator

## Description



## Variants

- AKK: Shut-off damper
- AKK-FL: Shut-off damper with flanges on both ends

## Parts and characteristics

- Ready-to-install shut-off damper
- Damper blade with blade mechanism

## Attachments

- Min/Max actuators: Actuators for switching between minimum and maximum volume flow rate setpoint values
- Auxiliary switch for capturing the end positions

## Construction features

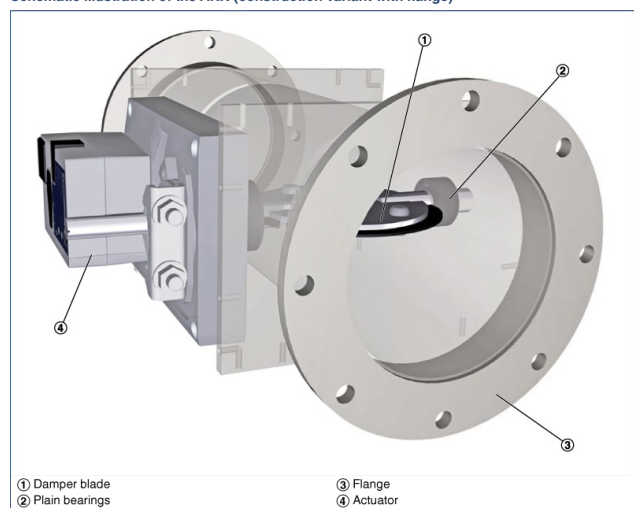
- Circular casing
- Spigot suitable for ducts according to DIN 8077
- Position of the damper blade indicated externally at the shaft extension
- All components coming into contact with the airflow are made of plastic (no interior metal parts)

## Materials and surfaces

- Casing and damper blade made of flame-resistant polypropylene (PPs)
- Plain bearings made of polypropylene (PP)
- Damper blade seals in chloroprene rubber (CR)

# INFORMACJE TECHNICZNE

Schematic illustration of the AKK (construction variant with flange)



Nominal sizes	125 – 400 mm
Acceptable static differential pressure	1500 Pa
Operating temperature	10 – 50 °C

**Quick sizing: Static differential pressure and sound pressure levels with open damper blade**

Nominal size	V		Differential pressure	Air-regenerated noise
	l/s	m <sup>3</sup> /h	$\Delta p_{st}$ Pa	$L_{pA}$ dB(A)
125	15	54	5	<15
	60	216	10	24
	105	378	25	36
	150	540	50	45
160	25	90	5	<15
	100	360	10	22
	175	630	20	33
	250	900	45	41
200	40	144	5	<15
	160	576	10	21
	280	1008	20	31
	405	1458	40	39
250	60	216	<5	<15
	250	900	5	19
	430	1548	15	29
	615	2214	30	38
315	100	360	<5	<15
	410	1476	5	21
	720	2592	15	34
	1030	3708	25	43
400	170	612	<5	<15
	670	2412	5	34
	1175	4230	10	50
	1680	6048	15	61

Circular shut-off dampers in PPs plastic for air conditioning systems, available in 6 nominal sizes. Suitable for shutting off or restricting extract air flows containing aggressive substances since all components coming into contact with the airflow are made of plastic (no interior metal parts).

Suitable for duct pressures up to 1500 Pa.

Ready-to-install unit consists of the casing with a damper blade.

Spigot, suitable for ducts according to DIN 8077.

Position of the damper blade indicated externally at the shaft extension.

Closed blade air leakage to EN 1751, class 3.

Casing air leakage to EN 1751, class B.

Special features

- Damper blade can be actuated manually, electrically or pneumatically
- Low-leakage shut-off
- Safety function provided by optional spring return actuator

Materials and surfaces

- Casing and damper blade made of flame-resistant polypropylene (PPs)
- Plain bearings made of polypropylene (PP)
- Damper blade seals in chloroprene rubber (CR)

Technical data

- Nominal sizes: 125 – 400 mm
- Acceptable static differential pressure: 1500 Pa

AKK

AKK – FL / 160 / GK / BP0 / NO

1 2 3 4 5 6

1 Type

AKK Shut-off damper, plastic

2 Flange

No entry: none

FL Flanges on both ends

3 Nominal size [mm]

125  
160  
200  
250  
315  
400

4 Accessories

No entry: none

GK Matching flanges for both ends

5 Actuator

No entry: manual operation

B30 24 V AC/DC supply voltage

B32 24 V AC/DC supply voltage, with auxiliary switch

B40 230 V AC supply voltage

B42 230 V AC supply voltage, with auxiliary switch

BP0 24 V AC/DC supply voltage, spring return actuator

BP2 24 V AC/DC supply voltage, spring return actuator, with auxiliary switch

BR0 230 V AC supply voltage, spring return actuator

BR2 230 V AC supply voltage, spring return actuator, with auxiliary switch

TN0 Pneumatic actuator 0.2 – 1 bar

6 Damper blade position

Only for spring return actuators and pneumatic actuators

NO Power off/Pressure off to open

NC Power off/Pressure off to close