



## TYP AK

### FOR LOW-LEAKAGE SHUT-OFF

Circular shut-off dampers for shutting off volume flows in ventilation ducts of air conditioning systems

- Maintenance-free damper blade mechanism
- Closed blade air leakage to EN 1751, class 4
- Casing air leakage to EN 1751, class C

Optional equipment and accessories

- Electric actuator
- Spring return actuator
- Pneumatic actuator
- Auxiliary switch with adjustable switching points for capturing the end positions

## Application



Application

- Circular shut-off dampers Type AK for shutting off or restricting the airflow in ventilation ducts of air conditioning systems

Special features

- Damper blade can be actuated manually, electrically or pneumatically
- Low-leakage shut-off
- Safety function provided by optional spring return actuator

## Description



Variants

- AK: Shut-off damper
- AK-FL: Shut-off damper with flanges on both ends

Construction

- Galvanised sheet steel
- P1: Powder-coated, silver grey (RAL 7001)
- A2: Stainless steel

Parts and characteristics

- Ready-to-install shut-off damper
- Damper blade with blade mechanism

#### Attachments

- Min/Max actuators: Actuators for switching between minimum and maximum volume flow rate setpoint values
- Auxiliary switch for capturing the end positions

#### Accessories

- Lip seals on both ends (factory fitted)
- Matching flanges for both ends

#### Construction features

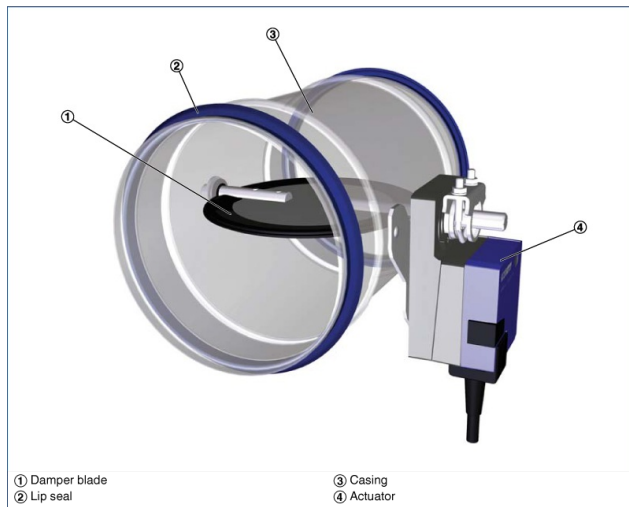
- Circular casing
- Spigot suitable for circular ducts to EN 1506 or EN 13180
- Spigot with groove for lip seal
- Position of the damper blade indicated externally at the shaft extension
- AK-FL: Flanges to EN 12220

#### Materials and surfaces

- Casing and damper blade made of galvanised sheet steel
- Blade seal made of TPE plastic
- Plain bearings made of polyurethane

## INFORMACJE TECHNICZNE

Schematic illustration of the AK



Nominal sizes	100 – 400 mm
Acceptable static differential pressure	1500 Pa
Operating temperature	10 – 50 °C

**Quick sizing: Static differential pressure and sound pressure levels with open damper blade**

Nominal size	V		Differential pressure	Air-regenerated noise
	l/s	m <sup>3</sup> /h	$\Delta p_{st}$ Pa	$L_{pA}$ dB(A)
100	10	36	5	<15
	40	144	10	27
	65	234	25	38
	95	342	55	49
125	15	54	5	<15
	60	216	10	24
	105	378	25	36
	150	540	50	45
160	25	90	5	<15
	100	360	10	22
	175	630	20	33
	250	900	45	41
200	40	144	5	<15
	160	576	10	21
	280	1008	20	31
	405	1458	40	39
250	60	216	<5	<15
	250	900	5	19
	430	1548	15	29
	615	2214	30	38
315	100	360	<5	<15
	410	1476	5	21
	720	2592	15	34
	1030	3708	25	43
400	170	612	<5	<15
	670	2412	5	34
	1175	4230	10	50
	1680	6048	15	61

Circular shut-off dampers for shutting off or restricting the airflow in ventilation ducts of air conditioning systems, for supply air or extract air, available in 7 nominal sizes

Suitable for duct pressures up to 1500 Pa.

Ready-to-install unit consists of the casing with a damper blade.

Spigot with groove for lip seal, suitable for connecting ducts according to EN 1506 or EN 13180.

Position of the damper blade indicated externally at the shaft extension.

Closed blade air leakage to EN 1751, class 4 (nominal sizes 100, 125 and 160, class 3).

Casing air leakage to EN 1751, class C.

Special features

- Damper blade can be actuated manually, electrically or pneumatically
- Low-leakage shut-off
- Safety function provided by optional spring return actuator

Materials and surfaces

- Casing and damper blade made of galvanised sheet steel
- Blade seal made of TPE plastic
- Plain bearings made of polyurethane

Construction

- Galvanised sheet steel
- P1: Powder-coated, silver grey (RAL 7001)
- A2: Stainless steel

Technical data

- Nominal sizes: 100 – 400 mm
- Acceptable static differential pressure: 1500 Pa

**AK**

**AK – P1 – FL / 160 / G2 / BP0 / NO**

↓   ↓   ↓   ↓   ↓   ↓   ↓

1   2   3   4   5   6   7

**1 Type****AK** Shut-off damper**2 Material**

No entry: galvanised sheet steel

**P1** Powder-coated, silver grey (RAL 7001)**A2** Stainless steel**3 Construction**

No entry: none

**FL** Flanges on both ends**4 Nominal size [mm]**

100

125

160

200

250

315

400

**5 Accessories**

No entry: none

**D2** Lip seals on both ends**G2** Matching flanges for both ends**6 Actuator**

No entry: manual operation

**B30** 24 V AC/DC supply voltage**B32** 24 V AC/DC supply voltage,  
with auxiliary switch**B40** 230 V AC supply voltage**B42** 230 V AC supply voltage,  
with auxiliary switch**BP0** 24 V AC/DC supply voltage,  
spring return actuator**BP2** 24 V AC/DC supply voltage,  
spring return actuator, with auxiliary switch**BR0** 230 V AC supply voltage,  
spring return actuator**BR2** 230 V AC supply voltage,  
spring return actuator, with auxiliary switch**TN0** Pneumatic actuator 0.2 – 1 bar**7 Damper blade position**Only for spring return actuators and  
pneumatic actuators**NO** Power off/Pressure off to open**NC** Power off/Pressure off to close