



TYP SIŁOWNIKI OTWÓRZ/ZAMKNIJ

FOR THE OPENING AND CLOSING OF SHUT-OFF DAMPERS IN AIR CONDITIONING SYSTEMS

Actuators for Type AK or AKK shut-off dampers

- Change of the damper blade position for two different operating situations
- Supply voltage 24 V AC/DC or 230 V AC or operating pressure 1 bar
- Control input signal: 1-wire control or 2-wire control (3-point)
- Potentiometer or mechanical stops
- Retrofit possible

Application

Application

- Actuators for opening and closing
- Opening and closing of Type AK or AKK shut-off dampers

Description

Parts and characteristics

- Mechanical stops for setting the damper blade positions
- Electric or pneumatic operation
- Overload protection
- Control input signal: 1-wire control, 2-wire control (3-point) or pneumatic control
- Optional spring return actuator for damper blade safety function
- Optional auxiliary switch for capturing the end positions

INFORMACJE TECHNICZNE

Functional description

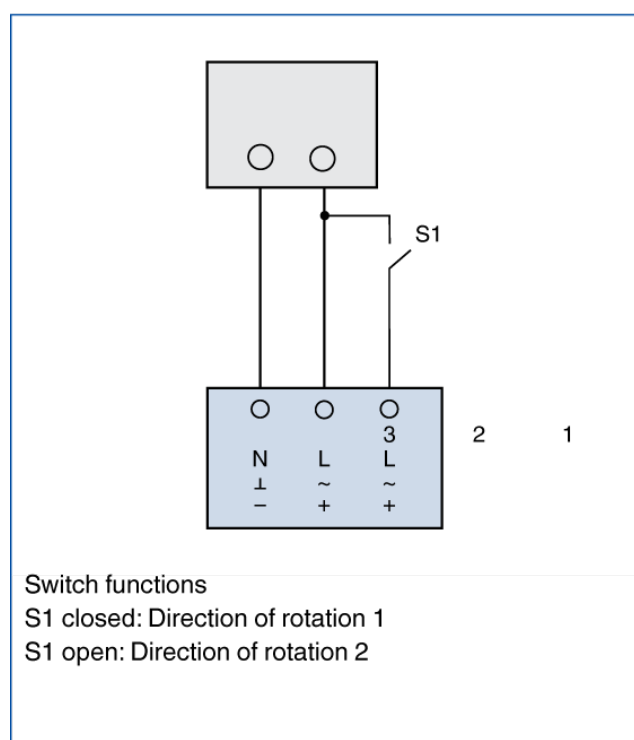
The actuator opens or closes the damper blade.

Minimum and maximum positions can be set using mechanical stops.

1-wire control or 2-wire control (3-point) can be used.

1-wire control is actually an open/close control.

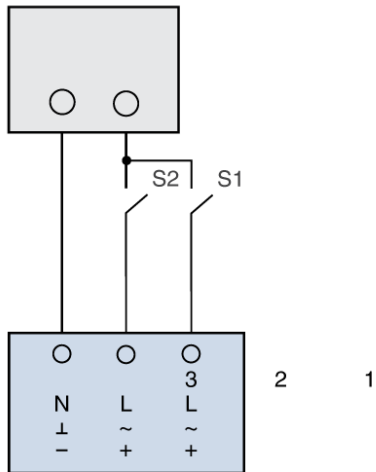
1-wire control



Direction of rotation 1: Open shut-off damper

Direction of rotation 2: Close shut-off damper

2-wire control (3-point)



Switch functions

S1 and S2 open: Actuator has stopped (any position)

S1 closed: Direction of rotation 1

S1 open, S2 closed: Direction of rotation 2

Actuators for Type AK or AKK shut-off dampers

Order code detail	Actuator			Auxiliary switch	
	Part number	Model	Supply voltage	Part number	Model
B30	M466DU5	LM24A	24 V	-	-
B32	M466DU5	LM24A	24 V	M536AI3	S2A
B40	M466DU4	LM230A	230 V	-	-
B42	M466DU4	LM230A	230 V	M536AI3	S2A
BP0	M466ET0	NF24A spring return actuator	24 V	-	-
BP2	M466ET2	NF24A-S2 spring return actuator	24 V	-	integrated
BR0	M466ET1	NFA spring return actuator	24 – 240 V AC 24 – 125 V DC	-	-
BR2	M466ET3	NFA-S2 spring return actuator	24 – 240 V AC 24 – 125 V DC	-	integrated
TN0	B555DC2	Pneumatic control	0.2 – 1 bar	-	-