



TYP BS

Rewizyjne drzwi powietrzno-szczelne zostały zaprojektowane do montażu w systemach klimatyzacyjnych, maszynowniach, komorach rozprężnych, centralach wentylacyjnych, itp.

Urządzenie narażone na wpływy atmosferyczne powinno zostać zabezpieczone farbą antykorozyjną.

Opis urządzenia

- Rewizyjne drzwi powietrzno-szczelne zostały zaprojektowane do montażu w systemach klimatyzacyjnych, maszynowniach, komorach rozprężnych, centralach wentylacyjnych, itp.
- Maksymalna różnica ciśnień 2,000 Pa.

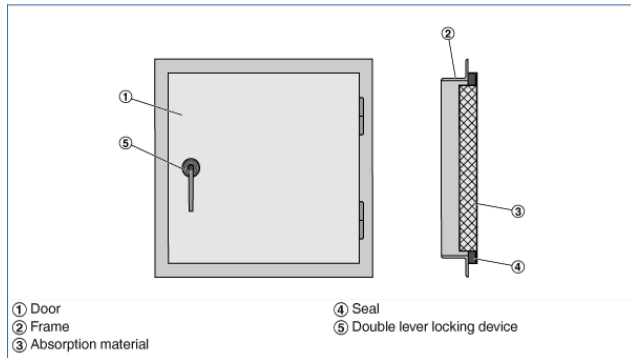
INFORMACJE TECHNICZNE

Functional description

Low-leakage inspection access doors are low-leakage separating elements for rooms or other enclosures.

When the door is being closed, i.e. when the double locking levers are being turned, the perimeter seal is fully pressed against the frame. As a consequence, the air leakage rate is extremely low even in case of high differential pressures.

Schematic illustration of BS



Nominal sizes	300 × 300 – 800 × 800 mm
Maximum pressure on the opening side	2000 Pa
Weighted sound reduction index	43 – 46 dB

Low-leakage inspection access doors as separating elements for air handling units, filter chambers, or enclosures for machinery or electrical equipment.

Ready-to-install component that consists of a door leaf with double lever locking device, absorption material, seal and hinges, and a frame.

Air leakage rate on the opening side is approx. 0.6 l/s or 2 m³/h at 2000 Pa.

Special characteristics

- U-value: 1.02 W/(m²K) at 8 W/(m²K) for internal spaces (air not in motion) and 25 W/(m²K) for outside (air in motion)
- Optional door frame without fixing tabs (-21) but with flange holes

Materials and surfaces

- Door leaf and stiffeners made of galvanised sheet steel
- Absorption material is mineral wool
- Door frame made of galvanised steel
- Double lever locking devices made of aluminium diecast
- APT rubber seal
- P1: Powder-coated, RAL CLASSIC colour
- PS: Powder-coated, NCS or DB colour

Mineral wool

- To DIN 4102, fire rating class A2, non-combustible
- RAL quality mark RAL-GZ 388
- Biosoluble according to TRGS 905 and EU directive 97/69/EG
- Inert to fungal and bacterial growth

Technical data

- Nominal sizes: 300 × 300 – 800 × 800 mm
- Maximum pressure on the opening side is 2000 Pa
- Weighted sound reduction index: 43 – 46 dB

BS

BS - R / 500x500 / Z03 / P1 - RAL ...

1

2

3

4

5

1 Type

BS Low-leakage inspection access door

2 Construction

R Right

L Left

3 Nominal size [mm]

B x H

4 Attachments

No entry: none

Z01 - Z03

Z05

5 Surface

P1 No entry: standard construction

PS Powder-coated,
RAL CLASSIC colour

Powder-coated, NCS or DB colour

Gloss level:

RAL 9010 50 %

RAL 9006 30 %

All other RAL colours 70 %